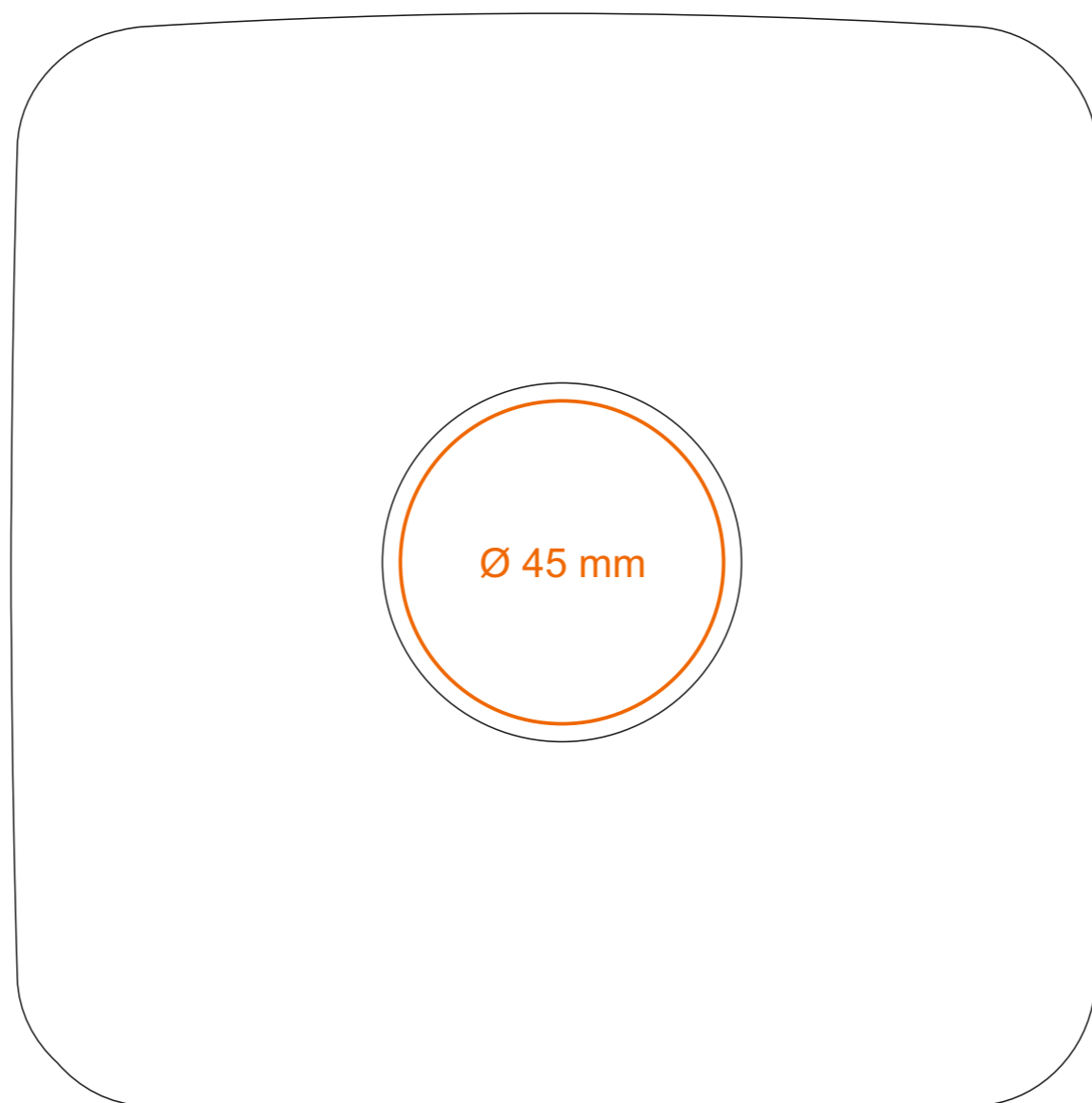
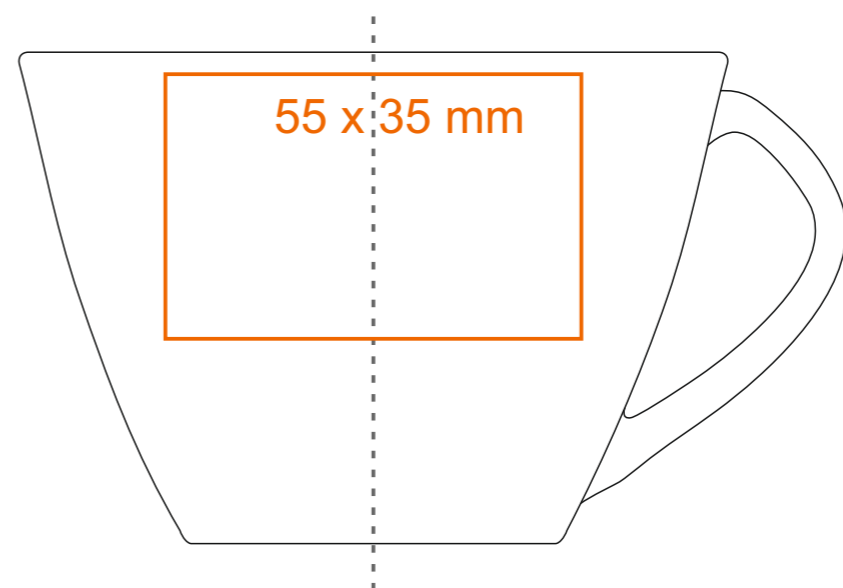
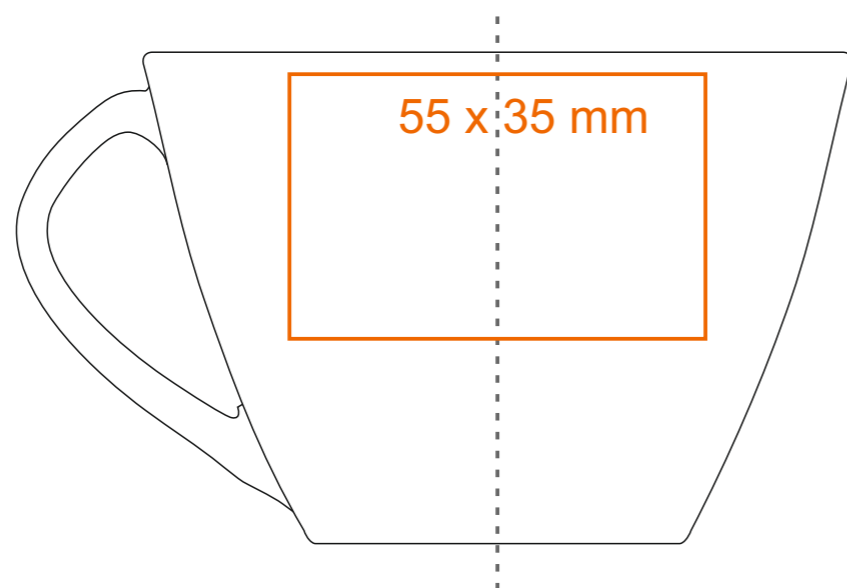
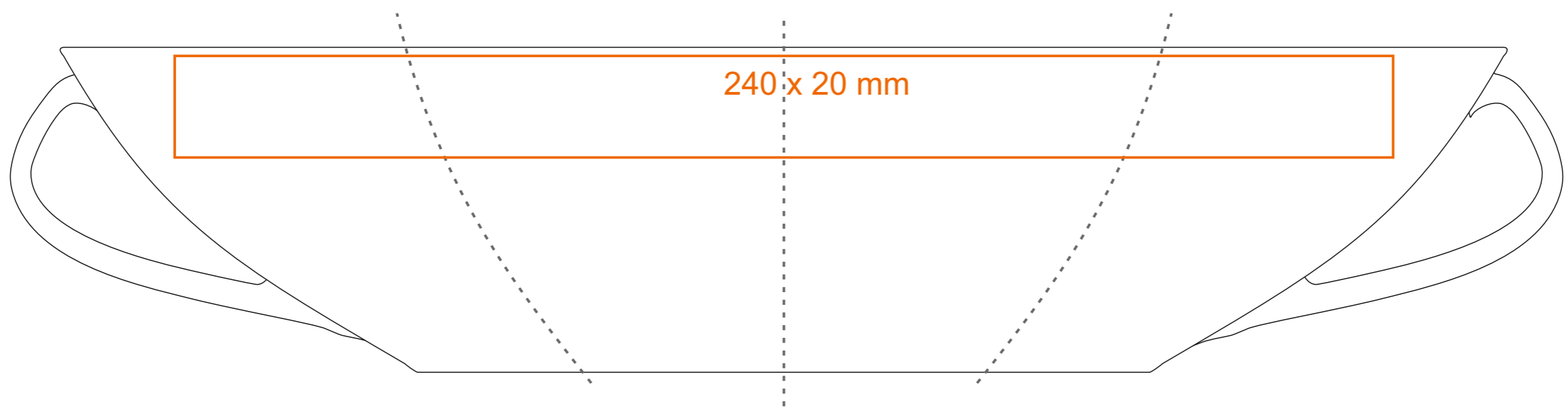


C_256 Luna Set

220 ml / h: 65 mm / Ø 95 mm



- Imprint on the handle
- Imprint on the inside
- Imprint on the bottom inside
- Imprint on the bottom outside



- 60 x 8 mm
- 50 x 10 mm
- Ø 40 mm
- Ø 30 mm

*In the case of projects for transfer print running outside of the standard print area, please contact our sales department.

[How to prepare print material](#)



meaning

-  Transfer Print
-  Sensitive Touch